

AIR SUPPLY VALVE "OKFIL WINDOW FILTER" VERSION 1.1 INSTALLATION MANUAL



The set includes

Window Filter without a handle

| | | | |
|--|--------|-----------------------------|--------|
| 1. Valve body | 1 pc. | 7. Self-tapping screws | 4 pcs. |
| 2. Insect screen for the valve body | 1 pc. | 8. Hole plug | 1 pc. |
| 3. Air supply regulator gate | 1 pc. | 9. Self-tapping screws caps | 3 pcs. |
| 4. 1st stage filter element | 1 pc. | 10. Protective grid | 1 pc. |
| 5. 2nd stage filter element | 1 pc. | 11. Air intake | 1 pc. |
| 6. Air ducts with a diameter of 10/12 mm | 5 pcs. | 12. Gasket | 1 pc. |

The video instruction can be viewed on the website www.okfil.com in the "Installation" section.

✉ sales@okfil.com

Window Filter Installation Process

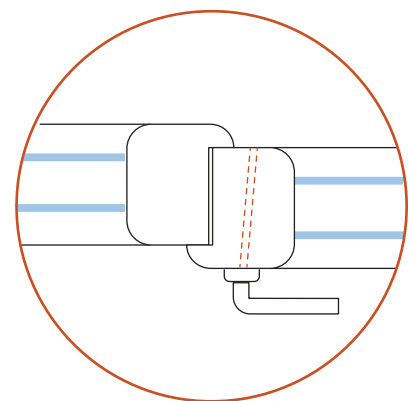
Step 1

For effective operation of the window filter, before installing it, check the presence of exhaust ventilation and its operation (the presence of draft in the exhaust ventilation). Checking is easy with a napkin:

- Open the window in the room where the exhaust ventilation is located;;
- Attach a napkin to the exhaust ventilation with the window open;
- If the napkin is held with the window open, the exhaust ventilation works properly;
- If the napkin does not hold when the window is open, the exhaust ventilation is clogged and it is necessary to contact the management company of your house to troubleshoot the operation of the exhaust ventilation system.

Step 2

- Apply the valve body (1) to the window frame profile from the indoor side;
- Use pencil to mark places for holes;
- Drill the 1.5 mm diameter holes for self-tapping screws;
- Drill rough 5 mm holes for further air ducts drilling (it is easier to drill internal metal frame with 5 mm before 10-12 mm);
- Drill 10-12 mm holes through the window profile for the air ducts (depending on the diameter of the air ducts), adjusting the drilling direction if necessary (all outlet openings should be closed by the air intake (11), and the inlet ones by the valve body (1));



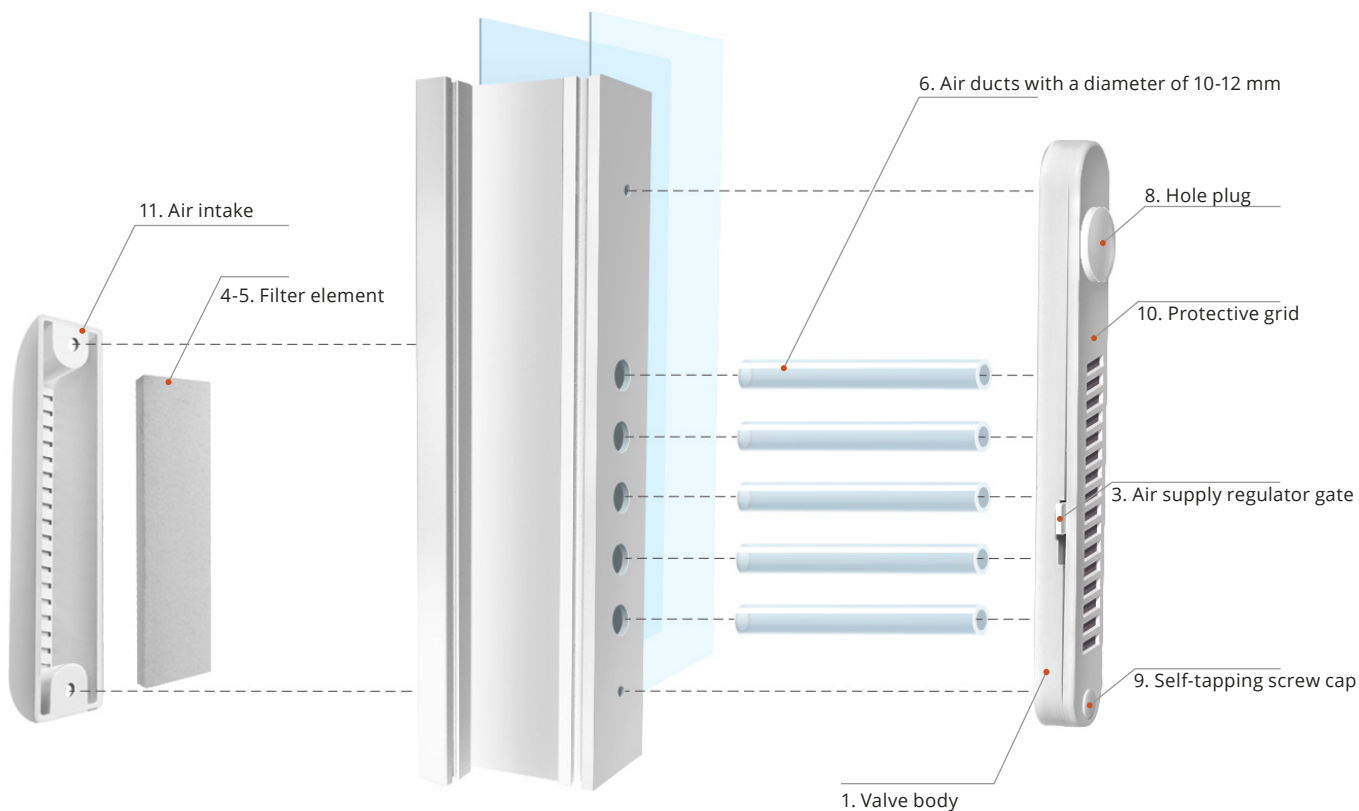
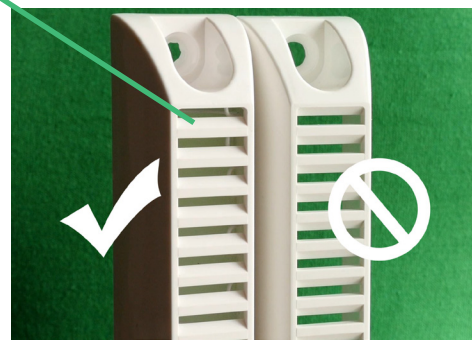
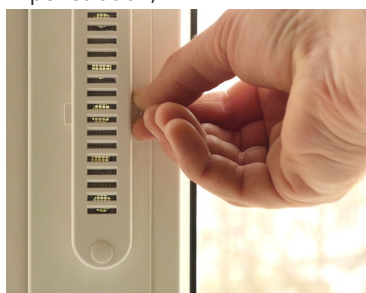
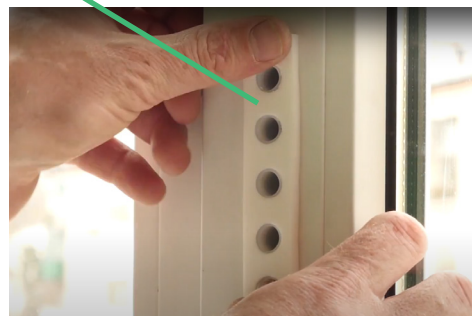
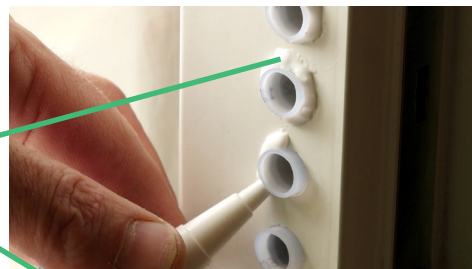
Important!

When installing in the opening casement, the holes for the air ducts shall be drilled at the angle of 4-6° as it is showed on the scheme.

When installing in an impost, drill at perpendicular angle.

Step 3

- Insert the air ducts (6) in the ready holes and cut the air ducts with a clerical knife or special branded scissors to the desired length so that the protrusion is no more than 2 mm from the window profile for sealing application;
- Seal the gaps around the air ducts between the profile and the air ducts with liquid plastic (we recommend Cosmo SL-660.220 / Cosmofen Plus-S for PVC);
- Install the gasket (12) on the air ducts (6) on the window profile from the indoor side;
- Attach the valve body (1) to the window profile and fasten the upper part with a self-tapping screw (air ducts must NOT go inside the valve body openings) ;
- Insert the air supply regulator gate (3) into the valve body (1);
- Install the protective grid (10) and the hole plug (8), and fix the valve body (1) with a self-tapping screw in the bottom part, install the self-tapping cap (9);
- Set the air supply regulating gate in the open position (upward);
- Attach the air intake (11) to the window frame profile from outdoor side so that it does not prevent full closing of the window sash;
- Use pencil to mark places for self-tapping screws' holes;
- Drill the 1.5 mm diameter holes for self-tapping screws;
- Install the 1st stage filter element (4) and then the 2nd stage filter element (5) into the air intake (11);
- Fix the air intake (11) with two self-tapping screws on the outdoor part of the window profile so that it covers all outlets of the air ducts, make sure that the air intake' lattice slope is directed outward and down to prevent the rain penetration;
- Install the self-tapping screw caps (9);
- Congratulations with your new OKFIL Window Filter!



We recommend the installation to be made by the licensed company or the certified specialist. Information on the availability in your region can be obtained by contacting the website WWW.OKFIL.COM